



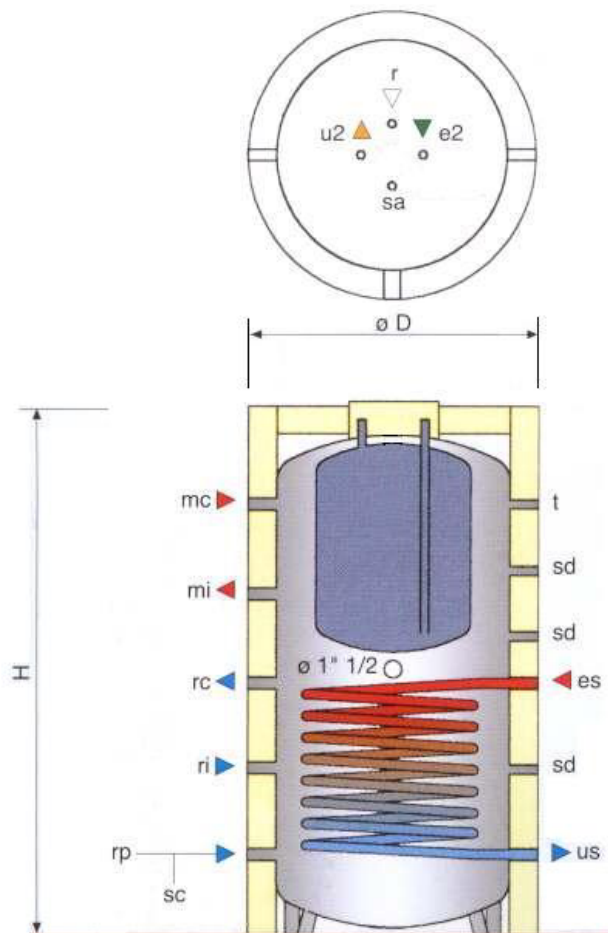
# UNIVERSAL HEAT ACCUMULATOR

GLASS LINED STEEL ACCUMULATOR WITH INTERNAL  
DHW CYLINDER IN STAINLESS STEEL AISI 316

# Heat Accumulator

Universal vertical heating accumulator in glass lined steel with an inside DHW cylinder in stainless steel AISI 316. the vessel is suitable for storage of hot water for heating from different sources like: condensing boilers – oil fired – wood, geothermal, CHP, or solar panels. Hot sanitary water production and distribution to heating installation. Working pressure for heating 3 bar, for sanitary water 6 bar, for solar heat exchanger 8 bar. Insulation in flexible polyurethane 100 mm. thick with high heat seal and external finishing in PVC. P.E.D. - product in accordance to norm nr. 3.3 of law nr. 97/23/CE.

- LEGEND OF CONNECTIONS:**
- ES** solar inlet  $\varnothing 1''$
  - US** solar outlet  $\varnothing 1''$
  - E2** dhw cylinder inlet  $\varnothing 3/4''$
  - U2** dhw cylinder outlet  $\varnothing 3/4''$
  - R** sheath for probe
  - MC** boiler inlet  $\varnothing 1''$
  - RC** return boiler  $\varnothing 1''$
  - MI** installation inlet  $\varnothing 1''$
  - RI** installation return  $\varnothing 1''$
  - RP** feeding  $\varnothing 1''$
  - SC** draining  $\varnothing 1''$
  - SA** ari vent  $\varnothing 1/2''$  or open t.  $\varnothing 3/4''$
  - SD** probe  $\varnothing 1/2''$
  - T** thermometer  $\varnothing 1/2''$



see installation diagram

Model	Capacity		Suitable for SILE SOLE solar panel mod. RT	Total heat exchange coefficient KS		Load loss of exchanger	Surface of solar exchanger	Hot sanitary water production from +15°C to +45°C with heating storage 75°C and sanitary storage 60°C		DIMENSIONS	
	total	Boiler s/s AISI 316		Nr.	kcal/h°C			W/°C	mbar	m2	In first 10 min
<b>TA 500</b>	500	125	4	870	1012	18	1,5	260	790	850	1800
<b>TA 1000</b>	1000	210	8	1392	2320	65	2,4	435	1380	1000	2250
<b>TA 1500</b>	1500	260	8	1392	2320	65	2,4	530	1520	1150	2430



TPS HEAT EXCHANGERS 2 PINERIDGE, DONAGHADEE CO DOWN BT21 0QR N IRELAND  
 TEL +44(0)2891883875 FAX +44(0)2891883910  
 DUBLIN TEL 01 282 0624 MOB 087 748 5333

www.tpsheatexchangers.com  
 A DIVISION OF THERMPAK SYSTEMS LTD